

## INSTALLATION INSTRUCTIONS

sūsa Premium Remote Filter Mount

Part # 18-RFHU13-22

Part # 18-RFHU20-22

Part # 18-RFHU22-22

Part # 18-RFHU34-22

Please read these instructions completely before beginning installation.

### KIT CONTENTS

QTY.	DESCRIPTION
1	Filter mount
1	Mounting bracket
4	1/4-20 x 3/4" socket cap bolts
4	1/4-20 x 3/8" SS button head bolt
2	M22x1.5 ProLine plugs with o-rings
1	Oil filter nipple*

\*see chart at right for corresponding size

### INSTALLATION

This premium remote filter mount has a unique design allowing it to be rotated 180 degrees for alternative mounting options (see Diagram #1).

The remote filter mount is machined with ProLine M22x1.5 threaded ports and must have an O-ring style fitting. For a wide range of compatible fittings, visit: [www.setrabusa.com](http://www.setrabusa.com)

- Using an Allen wrench, attach the mounting bracket to the filter mount in the desired location with the four 1/4-20 x 3/4" socket cap bolts.

**NOTE:** A thread-locking compound can be used for a permanent application.

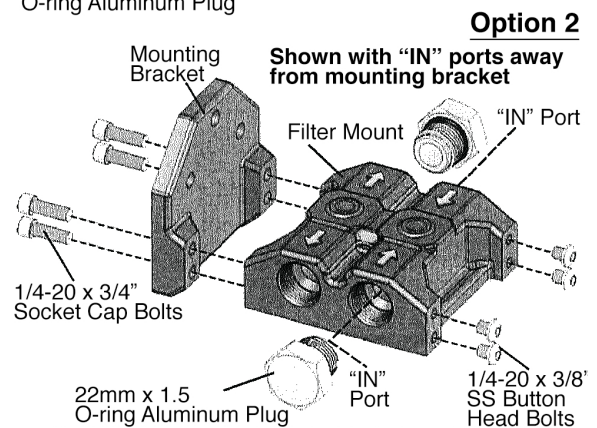
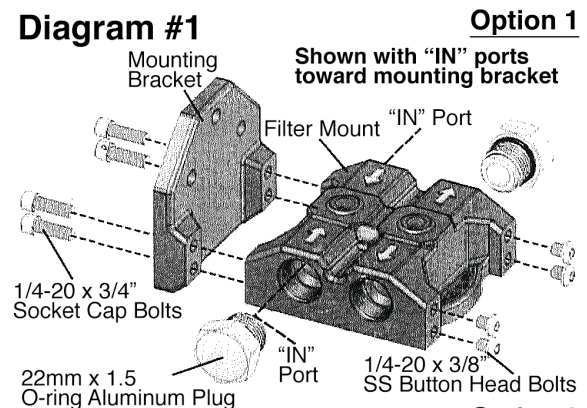
- Identify the four 1/4-20 x 3/8" SS button head bolts. These are included for aesthetic purposes to plug the holes on the front side of the filter mount. They serve no other function (see Diagram #1).

**NOTE:** The four holes on the front side of the filter mount may be used for additional mounting in severe-duty installations.

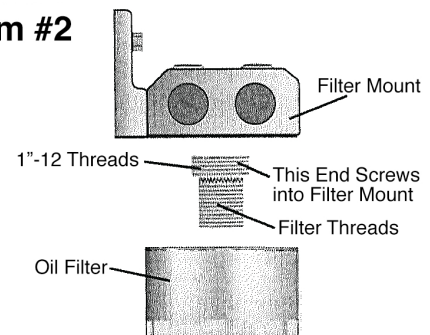
- Determine desired IN and OUT ports to best fit your preferred oil line routing.
- Lubricate threads and O-rings on the included M22x1.5 plugs and install plugs in unused ports. Tighten fittings with wrench until metal surfaces meet or to 29.5 lb.-ft. (40 Nm).  
**NOTE:** The unused ports can be used for vehicle sending units, such as temperature, pressure, etc.
- Identify the supplied filter nipple and carefully thread the nipple into the remote filter head until it completely bottoms out (see Diagram #2).
- Install engine oil filter onto remote filter mount and tighten to manufacturer's specification.

PART NUMBER	OIL FILTER STEM
18-RFHU13-22	13/16-16
18-RFHU20-22	M20x1.5
18-RFHU22-22	M22x1.5
18-RFHU34-22	3/4-16

### Diagram #1



### Diagram #2



**Warning:** Installation should only be attempted by those with mechanical skills and experience working on vehicles. Standard safety precautions consistent with the tools and dangers of automotive work should be followed to protect from injury. Specifically, wear protective equipment, take care to stabilize the vehicle on a level surface, engage the parking brake, and allow vehicle to cool before attemptation installation; failure to comply can result in injury and/or damage to equipment.